

Fanless Embedded Box Computer

KMDA-2501

MINI Aluminum Alloy Chassis, Intel® Braswell N3000 CPU, 1*LAN, 2*USB3.0

KMDA-2501

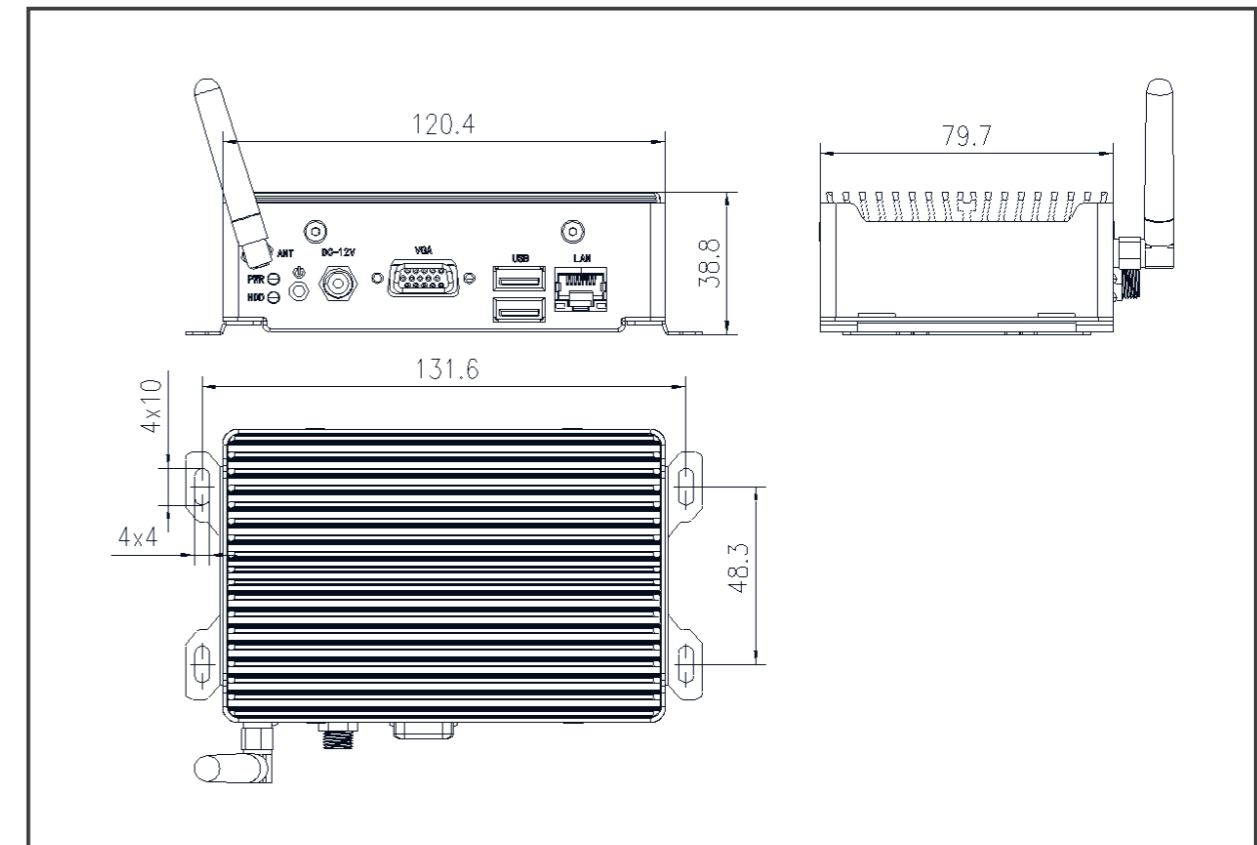


Key Feature

- MINI Aluminum chassis, fanless design
- Intel® Braswell N3000 Serials CPU
- 1*DDR3L 1333/1600 SODIMM, Max 8GB
- 1*Mini PCIe(Pcie+ USB signal),Full Size
- 1*VGA or 1*HDMI
- 1*Gig LAN, 2*USB3.0
- 1*mSATA(Half Size),SATA3 6.0Gbps
- DC 12V Power Input

Dimension

Unit : mm



SPEC

System	CPU	Intel® Celeron N3160 1.6 up to 2.24GHz, 4cores, 4threads, 2M cache, 14nm, TDP 6W
	System Memory	1*204-pin DDR3L 1333/1600MHz SODIMM, Max 8GB
	Expansion	1*MINI PCIe (Full size), PCIe x1+ USB signal; 1*E/O port(2*PClex1, SPI bus)
	Graphics	HD Graphics 400, HDMI or VGA, VGA resolution up to 1920*1200@60Hz:HDMI resolution up to 1920*1080@60Hz, support Intel wireless display
	Audio	Realtek ALC888S-VD2-G High Definition Audio, Line-out in HDMI
	LAN	1*Intel® I211AT PCIe Gigabit Ethernet, Integrated 10/100/1000M
	Storage	1*mSATA(Half size), SATA3 6.0Gbps, Integrated AHCI controller
	I/O Ports	1*RJ45 LAN ports (Rear) 1*VGA or HDMI (Rear) 2*USB 3.0 (Rear), 2*USB 2.0 (External) 8 bit DIO(External) 1*RS232/422/485(External), 1*RS232(External)
	LED	1*Power LED, 1*HDD LED (Rear)
	Control SW	1* Power switch (Rear)
	Power Supply	DC 12V Input, DC-Jack connector Power consumption: TDP 12V/1.08A(N3160 CPU,4G memory without HDD)
	Watchdog Timer	Watchdog timeout programmable via software from 1 to 255 seconds
	OS Support	Windows 7, Windows 10, Linux Fedora Ubuntu
	Mechanical	Constructure
Color		Silver aluminum chassis, silver frame
Mounting		VESA 100*100mm, Din-rail, Desktop mounting
Dimension		120.4*79.7.*38.8mm
Net Weight		0.46kg
Environmental	Operating Temperature	-20°C ~ 70°C - SSD with airflow
	Storage Temperature	-40°C ~ 85°C
	Storage Humidity	10~90%@40°C, non-condensing
	Vibration	5grms / 5 ~ 500Hz, in operating with SSD/mSATA;
	Shock	50g peak acceleration(duration 11ms)with SSD;
	EMC	CE / FCC Class A

Ordering Info

NO.	Introduction
KMDA-2501/S001	Fanless embedded box computer, Intel® Celeron N3160 CPU, 1*LAN, 2*USB3.0, 1*VGA(HDMI) 1*mSATA, DC 12V Power In.
PA-60DC12	AC/DC power adapter, DC12V/5A 60W