

Fanless Box Computer

KMDA-3601

KMDA-3601

Intel® Skylake-S/Kabylake-S Core I3/I5/I7 CPU, 4*POE, 2*LAN, 4*USB3.0, DP+HDMI+VGA, 16bit Isolated DIO



Key Feature

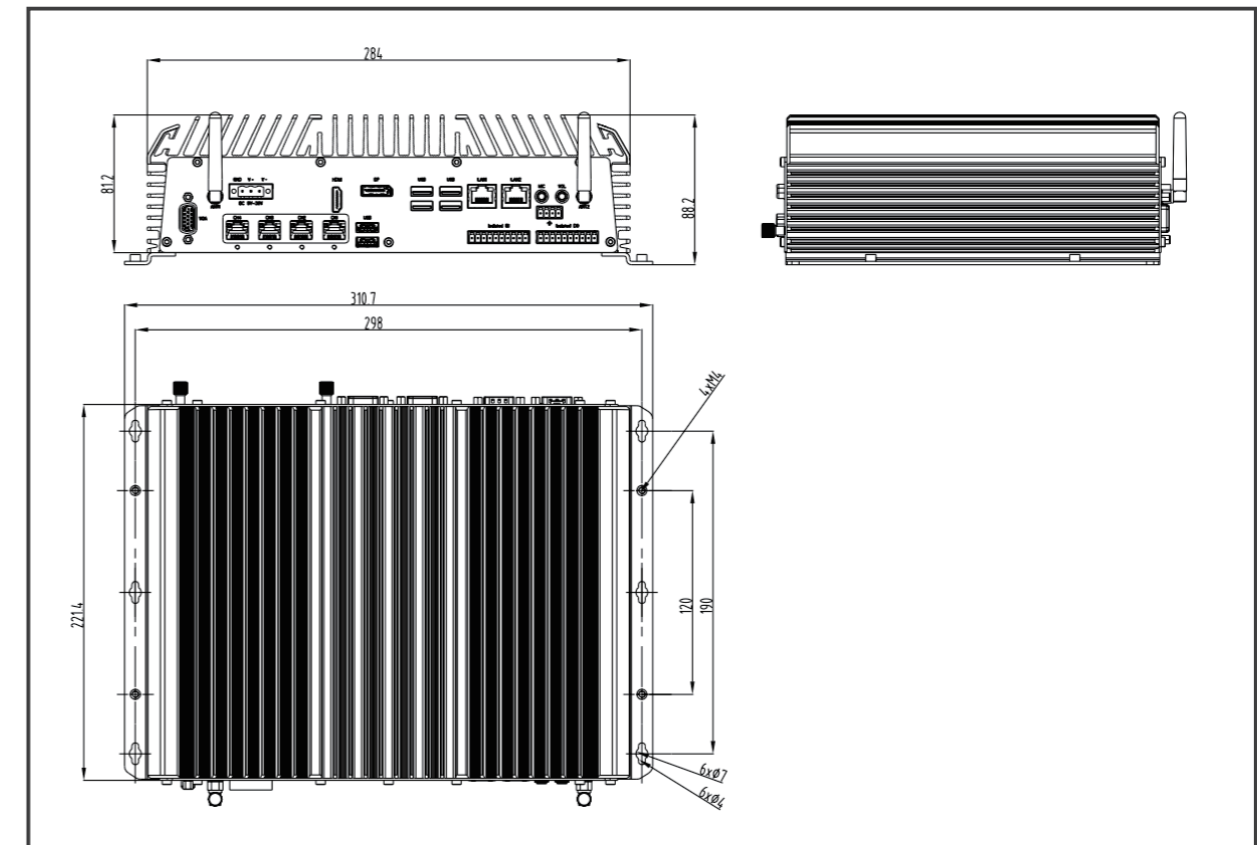
- Aluminum chassis, fanless design
- Intel® Kabylake-S/Skylake-S Core I3/I5/I7 CPU
- 2*DDR4 1866/2133MHz SODIMM, Max 32GB
- 4*CH GbE PoE and 2*Gig LAN
- 1*DP, 1*HDMI and 1*VGA, Audio out and Mic
- 4*USB3.0, 5*USB2.0, 4*COM, 16bit Isolated DIO
- 1*Mini PCIe(PCie+ USB), 1*Mini PCIe(SATA+ USB)
- 2*2.5" SATA3 HDD Bay, 1*mSATA
- DC 9~36V Wide Power Input

SPEC.

CPU	6th Gen. Intel® Skylake-S Core I3/I5/I7 CPU, LGA 1151 socket, TDP 35W Fanless, TDP 65W Fan Cooling 7th Gen. Intel® Kabylake-S Core I3/I5/I7 CPU, LGA 1151 socket, TDP 35W Fanless, TDP 65W Fan Cooling
System Memory	2*260-Pin SODIMM, dual channel DDR4 1866/2133MHz, Max 32GB
Expansion	1*full size Mini PCIe with PCIe X1+ USB signal; 1*half size Mini PCIe with USB+SATA3 signal
Graphics	Intel® Gen. 9 HD Graphics, DP resolution up to 4096*2304@60Hz, HDMI resolution up to 4096*2160@24Hz VGA resolution up to 1920*1200@60Hz. OpenGL 5.0, DirectX 12, OpenCL 2.1, HEVC/H265 HD de/encode
Audio	Realtek ALC888S-VD2-G high definition, Audio out and Mic
LAN	1*Intel® I211AT PCIe Gigabit Ethernet and 1*Intel® I219V with iAMT11.0 PCIe Gigabit Ethernet
Cameras Interface	4*channel GbE PoE, Intel® I210AT controller, 15.4W per channel, 4*RJ45 connector(S001)
Storage	2*2.5"HDD SATA3 Bay(One is remove able docking bay) , 1*mSATA, integrated AHCI controller
Digital IO	16 bit TTL Signal DIO. Optional 8 bit 2.5KV Isolated DI(H:DC 5~24V;L:DC 0~1.5V) and 8 bit 2.5KV Isolated DO(100mA Loading per channel, 250mA peak loading)
I-port	Support 1*LPT 、 2*COM or Mini PCIe model IO connector
I/O Ports	2*RJ45 LAN+ 4*RJ45 PoE (Rear): Optioal 2 or 6*RJ45 LAN (Rear) 1*HDMI+ 1*DP+ 1*VGA(Rear); 1*Audio out and Mic 3.5mm phone jack(Rear) 4*USB3.0 Type A and 2*USB2.0 Type A(Rear), 2*USB2.0 Type A(Front Rear), 1*USB2.0 Type A(Insyde) 16 bit DIO 20-pin terminal(Rear); 8 bit DI 10-pin terminal+ 8 bit DO 10-pin terminal(Rear) 4*RS232/422/485 DB9 male(Front Rear) 1*4-pin terminal fan connector (Rear)
LED	1*Power LED, 1*HDD LED (Front Rear)
Control SW	1*Power button (Front Rear), 1*Reset button(Front Rear)
Power Supply	DC 9~36V input, 3-pin terminal connector Power consumption: TBD
Watchdog Timer	Watchdog timeout programmable via software from 1 to 255 seconds
OS Support	Windows 7, Windows 10, Linux Fedora Ubuntu
Structure	Aluminum and SGCC chassis
Color	Silver
Mounting	Desktop mounting
Dimension	284*221.4*83.2mm
Net Weight	TBD
Operating Temperature	-20°C ~ 65°C - Fanless with 35W CPU+ wide operating temperature SSD -10°C ~ 40°C - Fanless with 54~65W CPU+ HDD; -10°C ~ 55°C - Fan cooling with 54~65W CPU+ HDD
Storage Temperature	-40°C ~ 85°C
Storage Humidity	10~90%@40°C, non-condensing
Vibration	5 grms/5~500Hz/random/in working status(SSD); 1 grms/5~500Hz/random/in working status(HDD)
Shock	50g peak acceleration(11ms duration)(SSD); 20g peak acceleration(11ms duration)(HDD)
EMC	CE / FCC Class A

Dimension

Unit : mm



Ordering Info

NO.	Introduction
KMDA-3601/S001	Fanless Box Computer, Intel® Skylake-S/Kabylake-S Core I3/I5/I7 LGA1151 CPU, 2*LAN, 4*PoE, 4*USB3.0 5*USB2.0, 4*COM, 16bit Iso. DIO, 2*Mini PCIe, 1*HDMI+ DP+ VGA, Audio, 1*I-port, 2*2.5" HDD Bay, DC 9~36V
KMDA-3601/S002	Fanless Box Computer, Intel® Skylake-S/Kabylake-S Core I3/I5/I7 LGA1151 CPU, 2*LAN, 4*PoE, 4*USB3.0 5*USB2.0, 4*COM, 16bit DIO, 2*Mini PCIe, 1*HDMI+ DP+ VGA, Audio, 1*I-port, 2*2.5" HDD Bay, DC 9~36V
KMDA-3601/T001	Fanless Box Computer, Intel® Skylake-S/Kabylake-S Core I3/I5/I7 LGA1151 CPU, 6*LAN, 4*USB3.0 5*USB2.0, 4*COM, 16bit DIO, 2*Mini PCIe, 1*HDMI+ DP+ VGA, Audio, 1*I-port, 2*2.5" HDD Bay, DC 9~36V
KMDA-3601/T002	Fanless Box Computer, Intel® Skylake-S/Kabylake-S Core I3/I5/I7 LGA1151 CPU, 2*LAN, 4*USB3.0 5*USB2.0, 4*COM, 8bit DIO, 2*Mini PCIe, 1*HDMI+ DP, Audio, 1*I-port, 2*2.5" HDD Bay, DC 9~36V
Fan-8038DC12	Fan 80*80*38mm, DC12V/200mA
PA-180DC19	AC/DC power adapter, DC19V/9.47A 180W